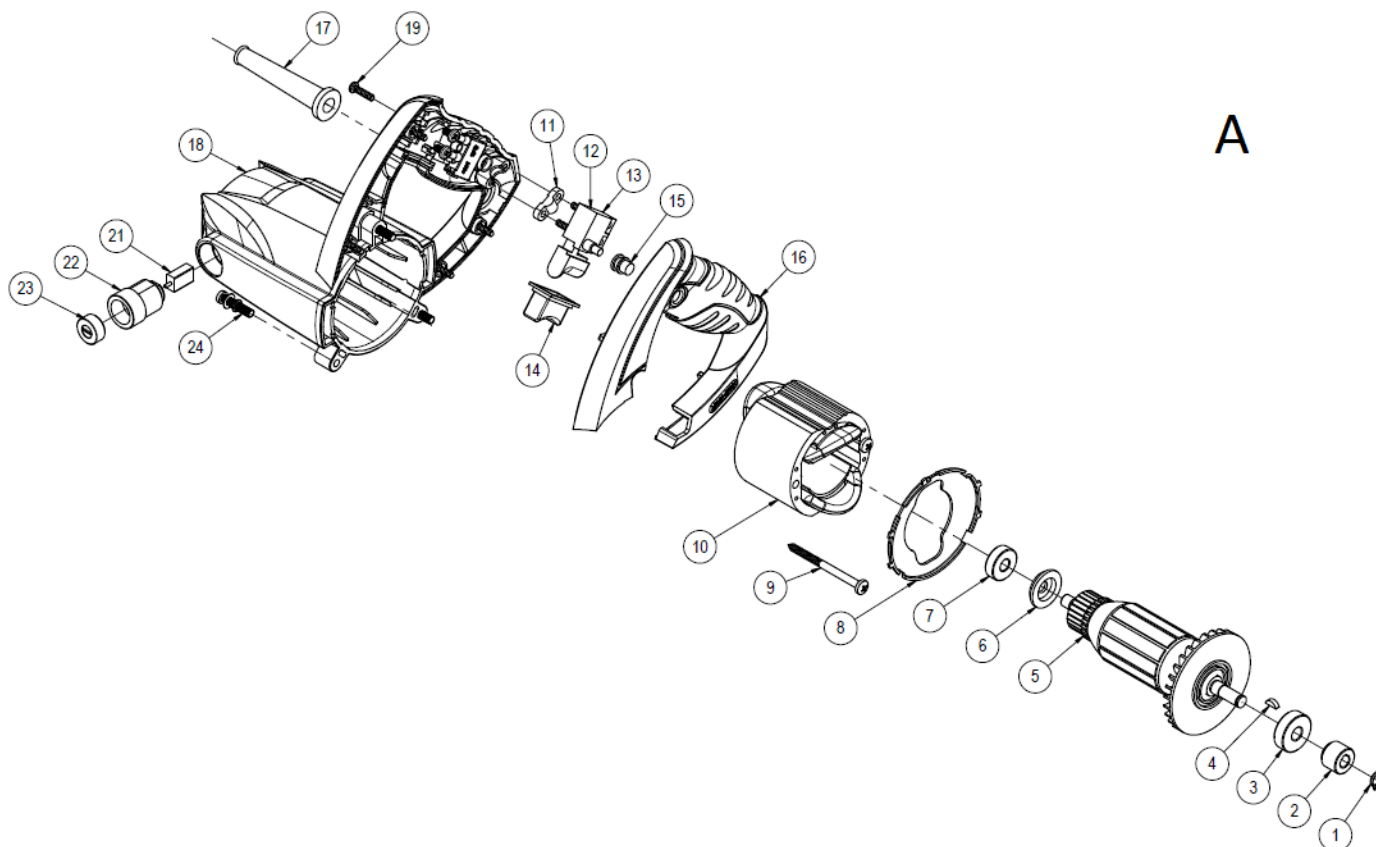


| Part-list | ES | EN      | Prod.   |
|-----------|----|---------|---------|
| 1         | A  | GRUPO A | GROUP A |
| 2         | B  | GRUPO B | GROUP B |
| 3         | C  | GRUPO C | GROUP C |
| 4         | D  | GRUPO D | GROUP D |
| 5         | E  | GRUPO E | GROUP E |
| 6         | F  | GRUPO F | GROUP F |

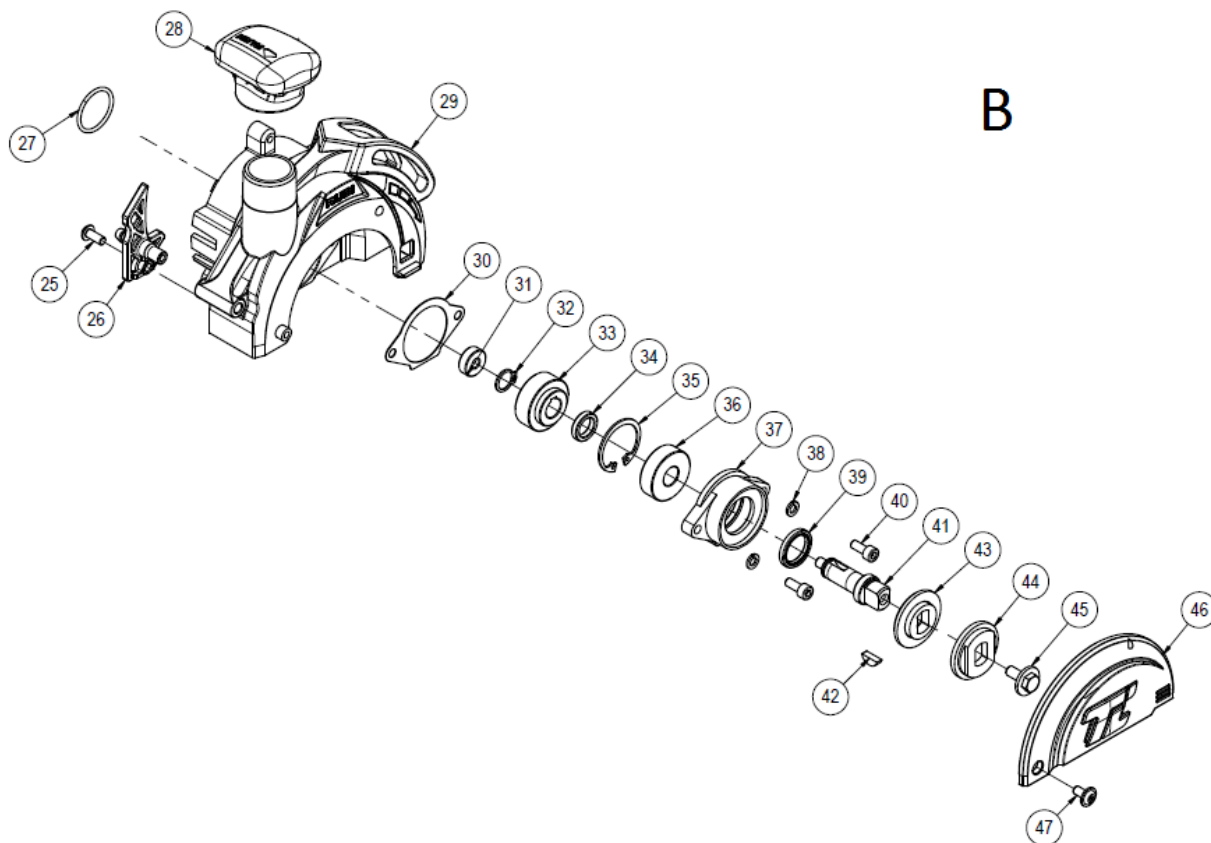
| Prod. | ES                                       | EN                                      | From serial num. |
|-------|--|---|------------------|
| 50953 | TC-125 230V 50HZ CORT.CIRC. 2 BULTOS     | TC-125 230V 50HZ CIRCULAR SAW 2 PACK    | -                |
| 51901 | KIT TC-125 230V 50HZ 2 BULTOS            | SET TC-125 230V 50HZ 2 PACK             | -                |
| 51902 | KIT TC-125 230V 50HZ UK 2 BULTOS         | SET TC-125 230V 50HZ + ACCESSORY GUIDES | -                |
| 51903 | KIT TC-125 120V 60HZ USA 2 BULTOS        | SET TC-125 120V 60HZ USA 2 PACK         | -                |
| 51904 | KIT TC-125 110V 50HZ UK 2 BULTOS         | SET TC-125 110V 50HZ + ACCESSORY GUIDES | -                |
| 51957 | TC-125 120V 60HZ USA CORT.CIRC.ARROWHEAD | TC-125 120V 60HZ USA CIRCULAR SAW       | -                |
| 51959 | TC-125 230V 50HZ UK CORT.CIRC. 2 BULTOS  | TC-125 230V 50HZ CIRCULAR SAW + SUCTION | -                |
| 51961 | TC-125 110V 50HZ UK CORT.CIRC. 2 BULTOS  | TC-125 110V 50HZ CIRCULAR SAW + SUCTION | -                |

Queda reservado el derecho de introducir cualquier modificacion técnica sin previo aviso

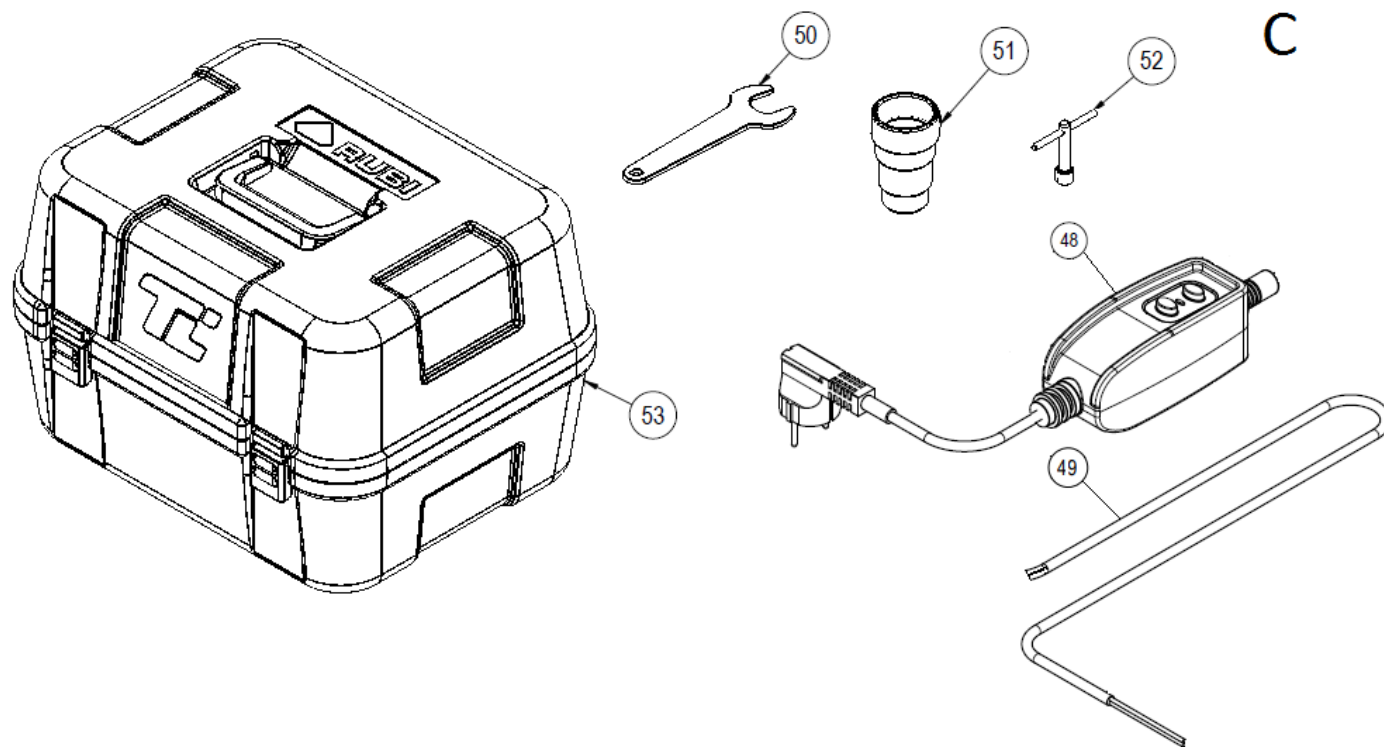
We reserve the right to introduce any technical modification without previous notice



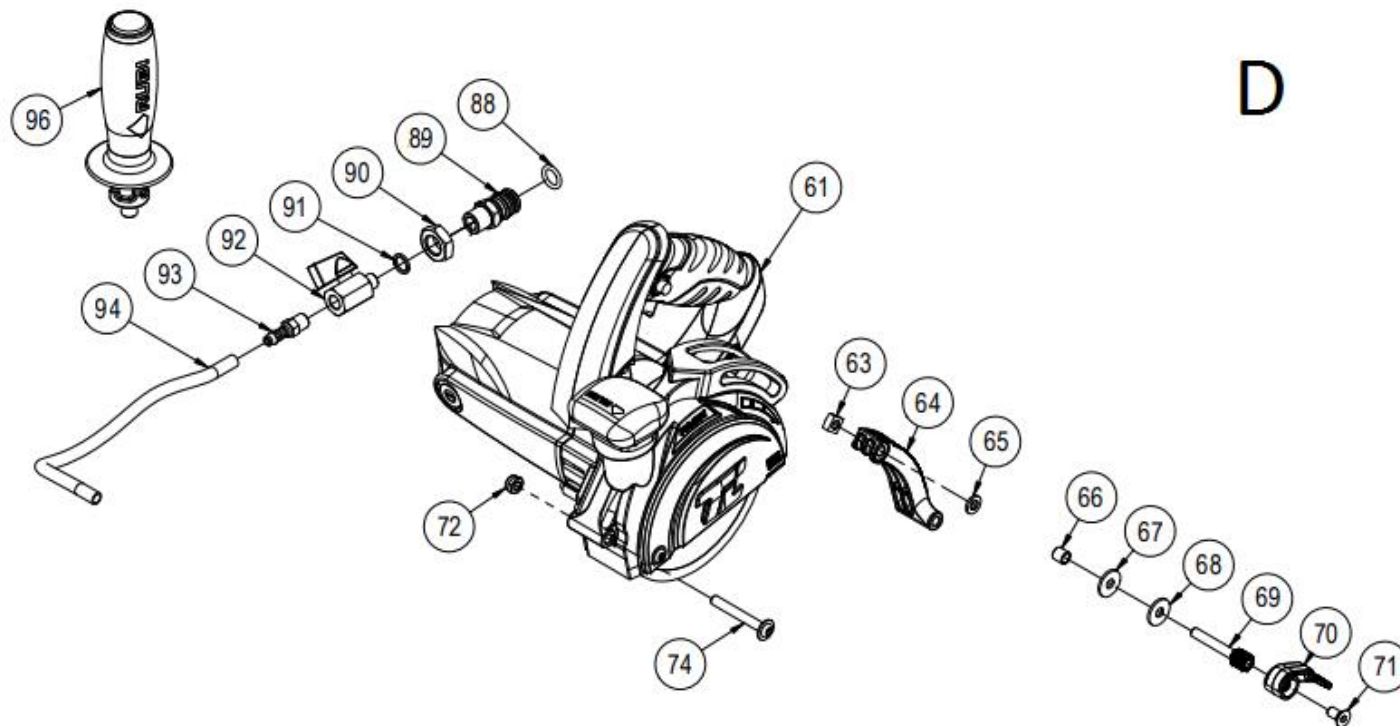
| Part-list | ES      | EN                                  | Prod.                               |                            |
|-----------|---------|-------------------------------------|-------------------------------------|----------------------------|
| 1         | 7162 1  | ANILLO DIN 471 Ø 8 ZN               | CIRCLIP DIN 471 Ø 8 ZP              |                            |
| 2         | 51706 1 | ENGRANAJE HELI Z17 TC-125           | HELICAL GEAR Z17 TC-125             |                            |
| 3         | 51707 1 | RODAMIENTO 629 2RS NSK              | BEARING 629 2RS NSK                 |                            |
| 4         | 51721 1 | CHAVETA DIN 6888 3X3,7X10           | WOODRUFF KEY DIN 6888 3X3,7X10      |                            |
| 5         | 51709 1 | ROTOR TC-125 230 V                  | ROTOR TC-125 230 V                  | 50953, 51959, 51901, 51902 |
| 5         | 51776 1 | ROTOR TC-125 110 V                  | ROTOR TC-125 110 V                  | 51961, 51957, 51903, 51904 |
| 6         | 51723 1 | ARAND AISLANTE                      | INSULATION WASHER                   |                            |
| 7         | 51724 1 | RODAMIENTO 608 2RS WTOO             | BEARING 608 2RS WTOO                |                            |
| 8         | 51725 1 | ANILLO DEFLECTOR                    | BAFFLE RING                         |                            |
| 9         | 51726 2 | TORN ST4,8X65 6.8 ZN                | SCREW ST4,8X65 6.8 ZP               |                            |
| 10        | 51727 1 | ESTATOR TC-125 230V                 | STATOR TC-125 230V                  | 50953, 51959, 51901, 51902 |
| 10        | 51779 1 | ESTATOR TC-125 110V                 | STATOR TC-125 110V                  | 51961, 51957, 51903, 51904 |
| 11        | 51728 1 | ABRAZADERA CABLE TC-125             | CABLE CLAMP TC-125                  |                            |
| 12        | 51729 2 | TORN ST3,9X14 6.8 ZN                | SCREW ST3,9X14 6.8 ZP               |                            |
| 13        | 51733 1 | INTERRUPTOR TC-125 230 V            | SWITCH TC-125 230 V                 | 50953, 51959, 51901, 51902 |
| 13        | 51787 1 | INTERRUPTOR TC-125 110 V            | SWITCH TC-125 110 V                 | 51961, 51957, 51903, 51904 |
| 14        | 51730 1 | PROTECTOR INTERRUPTOR TC-125        | SWITCH COVER TC-125                 |                            |
| 15        | 51731 1 | TAPA INTERRUPTOR TC-125             | LOCK COVER TC-125                   |                            |
| 16        | 51732 1 | ASA TC-125                          | HANDLE COVER TC-125                 |                            |
| 17        | 51734 1 | PROTECCION CABLE TC-125             | CORD GUARD TC-125                   |                            |
| 18        | 51735 1 | CARCASA MOTOR TC-125                | MOTOR HOUSING TC-125                |                            |
| 19        | 51736 5 | TORN ST3,9X16 6.8 ZN                | SCREW ST3,9X16 6.8 ZP               |                            |
| 21        | 51809 2 | JUEGO ESCOBILLAS TC-125 110V (2 UN) | CARBON BRUSH SET TC-125 110V (2 UN) | 51961, 51957, 51903, 51904 |
| 21        | 51764 2 | JUEGO ESCOBILLAS TC-125 230V (2 UN) | CARBON BRUSH SET TC-125 230V (2 UN) | 50953, 51959, 51901, 51902 |
| 22        | 51737 2 | PORTAESCOBILLAS TC-125              | BRUSH HOLDER TC-125                 |                            |
| 23        | 51738 2 | TAPA ESCOBILLAS TC-125              | BRUSH CAP TC-125                    |                            |
| 24        | 51750 3 | TORNILLO M5X25 6.8 ZN               | SCREW M5X25 6.8 ZP                  |                            |



| Part-list | ES      | EN                                | Prod.                        |
|-----------|---------|-----------------------------------|------------------------------|
| 25        | 51740 1 | TORN ISO 7380 M5X12 6.8 ZN        | SCREW ISO 7380 M5X12 6.8 ZP  |
| 26        | 51679 1 | ADAPTADOR PARA AGUA TC-125        | WATER COOLING ADAPTER TC-125 |
| 27        | 51741 1 | JUNTA TORICA OR 24,8X2,1          | O-RING OR 24,8X2,1           |
| 28        | 51681 1 | TAPON ANTIPOLVO TC-125            | RUBBER CAP TC-125            |
| 29        | 51675 1 | FRONTAL ALUMINIO TC-125           | ALUMINIUM HOUSING TC-125     |
| 30        | 51765 1 | JUNTA CELULOSA TC-125             | CELLULOSE GASKET TC-125      |
| 31        | 51743 1 | RODAMIENTO 606 2Z WTOO            | BEARING 606 2Z WTOO          |
| 32        | 57339 1 | ANILLO DIN 471 Ø 12 ZN            | WASHER DIN 471 DIA.12 ZP     |
| 33        | 51745 1 | ENGRANAJE HELI Z40 TC-125         | HELICAL GEAR Z40 TC-125      |
| 34        | 51746 1 | CASQ 18X12X4 FE                   | BUSHING 18X12X4 FE           |
| 35        | 61261 1 | ANILLO DIN 472 Ø 32               | CIRCLIP DIN 471 Ø12          |
| 36        | 51748 1 | RODAMIENTO 6201 2RS WTOO          | BEARING 6201 2RS WTOO        |
| 37        | 51676 1 | BRIDA RODAMIENTOS TC-125          | BEARING HOUSING TC-125       |
| 38        | 51763 2 | ARAND DIN 127 M5                  | WASHER DIN 127 M5            |
| 39        | 51751 1 | RETEN TC 125                      | SEALED OIL RING TC 125       |
| 40        | 5531 2  | TORN DIN 912 M5X12 8.8 ZN         | SCREW DIN 912 M5x12 8.8 ZP   |
| 41        | 51753 1 | EJE TC-125                        | SPINDLE TC-125               |
| 42        | 51752 1 | CHAVETA DIN 6888 4X5X13           | WOODRUFF KEY DIN 6888 4X5X13 |
| 43        | 51677 1 | PLETINA INTERIOR TC-125           | INNER FLANGE TC-125          |
| 44        | 51678 1 | PLETINA EXTERIOR TC-125           | OUTER FLANGE TC-125          |
| 45        | 51754 1 | TORN M6X16 6,8 ZN                 | SCREW M6X16 6.8 ZN           |
| 46        | 51674 1 | TAPA PROTECCION DISCO TC-125      | SAFETY COVER TC-125          |
| 47        | 51742 1 | TORN ISO 7380 ARAND. M5X10 8.8 ZN | SCREW ISO 7380 AR M5X10 8.8  |

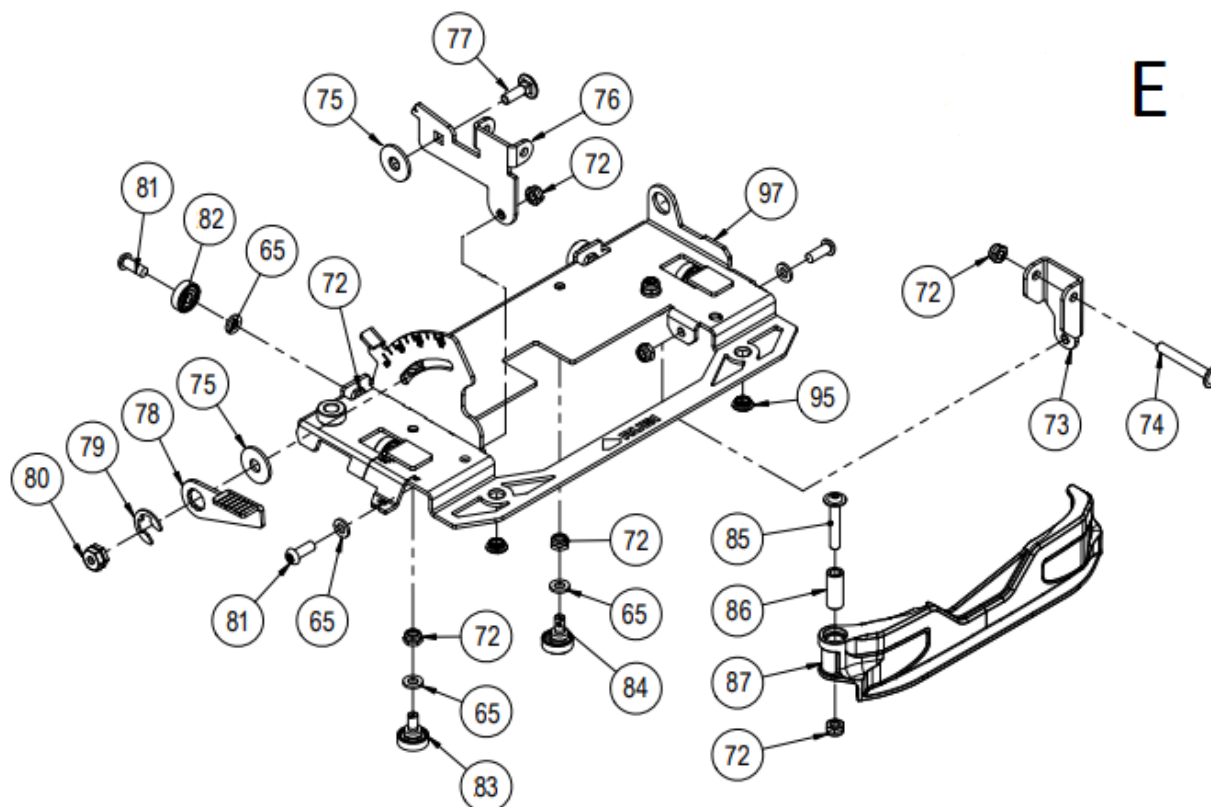


| Part-list | ES   | EN                                   | Prod.        |
|-----------|--|--------------------------------------|--------------|
| 48        | 51658 1 ENCHUFE CABL.PRC D 3X1,5 230/50 LV-VDA | PRCD CABLE PLUG 3X1,5 230/50 LV-VDA  | 50953, 51901 |
| 48        | 51777 1 ENCHUFE CABL.PRC D 3X1,5 230/50 LV-BS  | PRCD CABLE PLUG 3X1,5 230/50 LV-BS   | 51959, 51902 |
| 48        | 51780 1 ENCHUFE CABL.PRC D 3X1,5 110/50 LV-BS  | PRCD CABLE PLUG 3X1,5 110/50 LV-BS   | 51961, 51904 |
| 48        | 52223 1 ENCHUFE CABL.PRC D 3X1,5 110/60 LV-NEM | PRCD CABLE PLUG 3X1,5 120/60 LV-NEMA | 51957, 51903 |
| 49        | 52222 1 CABLE 2X1 1,9 M                        | CABLE 2X1 1,9 M                      |              |
| 50        | 51683 1 LLAVE PLANA 22 MM                      | OPEN SPANNER 22 MM                   |              |
| 51        | 51680 1 ADAPTADOR ASPIRACION TC-125            | VACUUM HOSE ADAPTER TC-125           |              |
| 52        | 51682 1 LLAVE DE TUBO 10 MM                    | T-SOCKET SPANNER 10 MM               |              |
| 53        | 51684 1 MALETA TC-125                          | CASE TC-125                          |              |

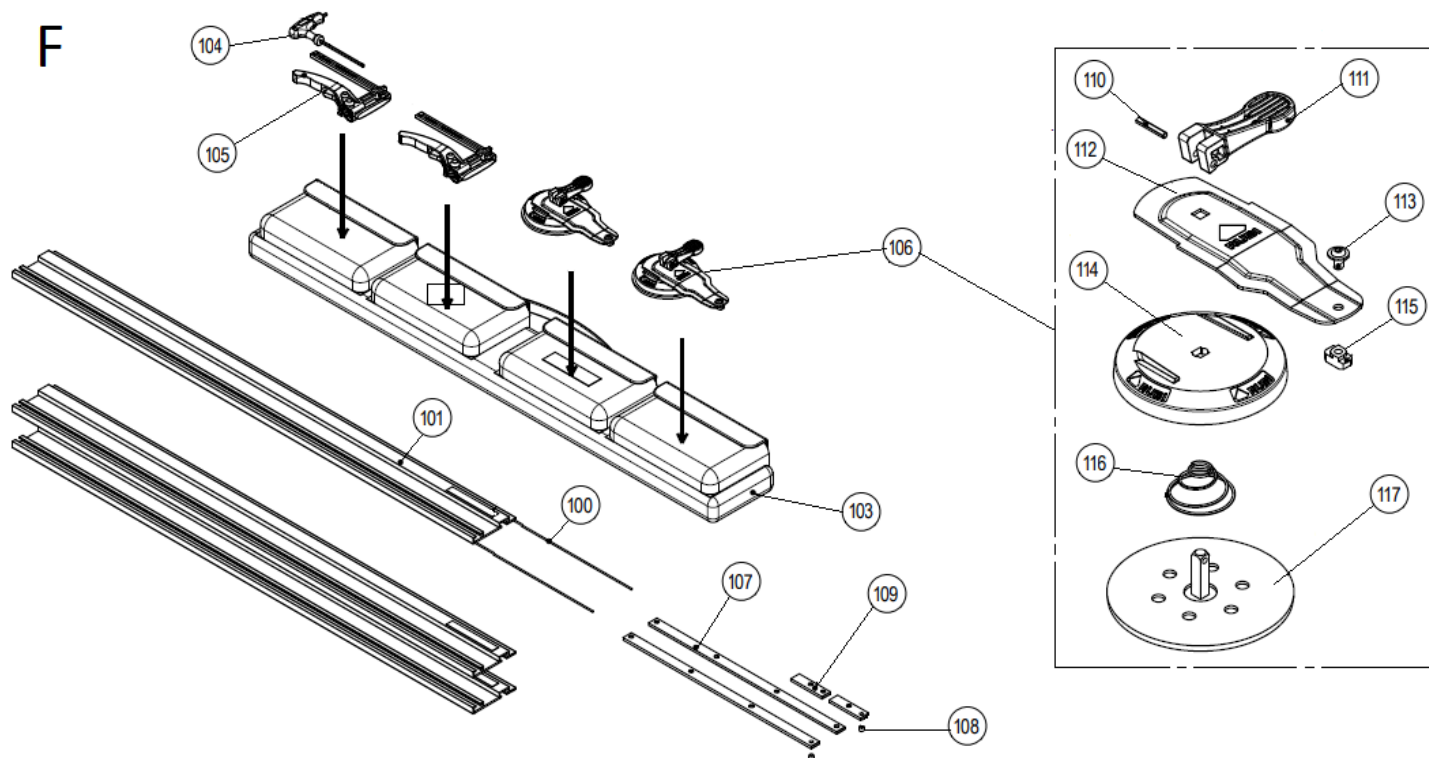


D

| Part-list | ES       | EN                                    | Prod.                               |              |
|-----------|----------|---------------------------------------|-------------------------------------|--------------|
| 61        | 51704 1  | CJ.MAQUINA TC-125 110V 50HZ UK        | MOTOR SET TC-125 110V 50HZ UK       | 51961, 51904 |
| 61        | 51701 1  | CJ.MAQUINA TC-125 120V 60HZ USA       | MOTOR SET TC-125 120V 60HZ USA      | 51957, 51903 |
| 61        | 51703 1  | CJ.MAQUINA TC-125 230V 50HZ UK        | MOTOR SET TC-125 230V 50HZ UK       | 51959, 51902 |
| 61        | 51655 1  | CJ.MAQUINA TC-125 230V 50HZ           | MOTOR SET TC-125 230V 50HZ          | 50953, 51901 |
| 63        | 56124 1  | TUERCA DIN 557 M6 CUADRADA CL8 ZN     | SQUARE NUT DIN 557 M6 CL8 ZP        |              |
| 64        | 51665 1  | GUIA VERTICAL TC-125 MM               | DEEPNESS GUIDE TC-125 MM            |              |
| 65        | 25177 11 | ARAND DIN 125 A6,4 ZN                 | WASHER DIN 125 A6,4 ZP              |              |
| 66        | 51667 1  | CASQ 6,2X8X8 FE ZN                    | SPACER 6,2X8X8 STEEL ZP             |              |
| 67        | 50002 1  | ARAND DIN 9021 A6,4 PA                | WASHER DIN 9021 A6,4 PA             |              |
| 68        | 45038 1  | ARAND DIN 9021 A6,4 ZN                | WASHER DIN 9021 A6,4 ZP             |              |
| 69        | 51666 1  | EJE BLOQUEO TC-125                    | LOCKING SCREW TC-125                |              |
| 70        | 51668 1  | PALANCA BLOQUEO TC-125                | PLASTIC LOCKING LEVER TC-125        |              |
| 71        | 60680 1  | TORN DIN 7991 M6X12 6.8 ZN            | SCREW DIN 7991 M6X12 6.8 ZP         |              |
| 72        | 40020 13 | TUERCA DIN 985 M6 CL8 ZN AUTOBLOC     | HEX LOCK NUT DIN 985 M6 CL8 ZP      |              |
| 88        | 51648 1  | JUNTA TORICA 11X2.5 NBR 70 SHORE A    | O-RING 11X2.5 NBR 70 SHORE A        |              |
| 89        | 51687 1  | CONECTOR RAPIDO MANGUERA H G1/8"      | HOSE QUICK CONNECTOR F G1/8         |              |
| 90        | 60032 1  | TUERCA DIN 936 M14 CL8 ZN             | NUT DIN 936 M14 CL8 ZP              |              |
| 91        | 51285 1  | JUNTA GAS 1/8 10X13X1,5               | SEALING RING O GAS 1/8 10X13X1,5    |              |
| 92        | 51685 1  | MICRO VALVULA MH G1/8"                | MINI BALL VALVE MF G1/8"            |              |
| 93        | 51686 1  | ADAPTADOR Ø6 -R1/8" PA                | HOSE TAIL CONNECTOR Ø6-R1/8" PA     |              |
| 94        | 51649 1  | TUBO PVC CRISTAL Ø6X8 230 MM          | PVC TRANSP. PIPE Ø6X8 230 MM        |              |
| 96        | 54889 1  | CJ.EMPUÑADURA M10 RUBI DU-EVO C/TAPON | RUBI HANDLE M10 SET WITH CAP DU-EVO |              |



| Part-list | ES       | EN                                    | Prod.                                   |
|-----------|----------|---------------------------------------|---|
| 65        | 25177 11 | ARAND DIN 125 A6,4 ZN                 | WASHER DIN 125 A6,4 ZP                  |
| 72        | 40020 13 | TUERCA DIN 985 M6 CL8 ZN AUTOBLOC     | HEX LOCK NUT DIN 985 M6 CL8 ZP          |
| 73        | 51662 1  | CHAPA REGULACION ALTURA TC-125        | HEIGHT ADJUSTMENT PLATE TC-125          |
| 74        | 51672 2  | TORN ISO 7380 M6X45 10.9 ZN           | SCREW ISO 7380 M6X45 10.9 ZP            |
| 75        | 51785 2  | ARAND 24X8,4X2                        | WASHER 24X8,4X2                         |
| 76        | 51661 1  | CHAPA REGULACIÓN 45° TC-125           | 45° ADJUSTMENT PLATE TC-125             |
| 77        | 51669 1  | TORN DIN 603 M6X18 6.8 ZN             | SCREW DIN 603 M6X18 6.8 ZP              |
| 78        | 51664 1  | PALANCA CHAPA REGULACION TC-125       | STEEL LOCKING LEVER 45° TC-125          |
| 79        | 51671 1  | ANILLO ELAST. DIN 6799 12 INOX A2     | CIRCLIP DIN 6799 12 SS A2               |
| 80        | 51663 1  | TUERCA RANURADA TC-125                | SPECIAL NUT TC-125                      |
| 81        | 24207 6  | TORN ISO 7380 M6X16 8.8 ZN            | SCREW ISO 7380 M6X16 8.8 ZP             |
| 82        | 51806 4  | RODAMIENTO 626 2RZ INOX CUBIERTA GOMA | BEARING 626 2RZ SS RUBBER COVER         |
| 83        | 51808 2  | CJ.RODAMIENTO FIJO TC-125 V2          | FIXED SHAFT W/BEARING SET TC-125 V2     |
| 84        | 51807 2  | CJ.RODAMIENTO EXCENTRICO TC-125 V2    | ECCENTRIC SHAFT W/BEARING SET TC-125 V2 |
| 85        | 51689 1  | TORN ISO 7380 M6X35 10.9 ZN           | SCREW ISO 7380 M6X35 10.9 ZP            |
| 86        | 51647 1  | CASQ 6X10X24,5 FE ZN                  | SPACER 6X10X24,5 STEEL ZN               |
| 87        | 51688 1  | TAPA PROTECCION LATERAL TC-125        | SAFETY COVER TC-125                     |
| 95        | 51695 2  | TAPON FINAL LB 10X13                  | BLANKING PLUG - LB 10X13                |
| 97        | 51657 1  | CHASIS CARRO TC-125                   | STEEL CHASSIS PLATE TC-125              |



| Part-list | ES       | EN                                     | Prod.                               |
|-----------|----------|--|-------------------------------------|
| 100       | 18219 6  | JUNTA TORICA Ø 2,5 BLANCA              | O-RING Ø 2,5 WHITE                  |
| 101       | 18218 3  | GUIA SLIM CUTTER                       | GUIDE SLIM CUTTER                   |
| 103       | 18230 1  | BOLSA DE TRANSPORTE SLIM CUTTER        | CARRY BAG SLIM CUTTER               |
| 104       | 18654 1  | LLAVE ALLEN BOLA 4 MM MANGO T          | T HANDLE END BALL HEX KEY 4 MM      |
| 105       | 52220 2  | SARGENTO RAPIDO F 120X60 ROJO          | F QUICK CLAMP 120X60 RED            |
| 106       | 18834 2  | ACCESORIO VENTOSA SLIM CUTTER          | SUCTION PAD ACCESORY SLIM CUTTER    |
| 107       | 18728 2  | GUIA DE UNION 20X5X450 V2              | UNION GUIDE 20X5X450 V2             |
| 108       | 18732 12 | PRISIONERO DIN 913 M8X8 8.8 ZN         | PIN DIN 913 M8X8 8.8 ZP             |
| 109       | 18729 2  | GUIA DE UNION 20X5X75 V2               | UNION GUIDE 20X5X75 V2              |
| 110       | 65318 2  | PASADOR DIN 7343 Ø 4X24                | PIN DIN 7343 Ø 4X24                 |
| 111       | 65337 2  | MANGO VENTOSA V3 GRIS                  | SUCTION PUMP HANDLE V3 GREY         |
| 112       | 51698 2  | PLACA FIJACION VENTOSA SLIM CUTTER V2  | SUCTION CUP ASSEMBLY SLIM CUTTER V2 |
| 113       | 55591 2  | TORN ISO 7380 AR M6X10 10.9 ZN TUFLOCK | SCREW ISO 7380 AR M6X10 10.9 ZP     |
| 114       | 65339 2  | CUERPO VENTOSA V5                      | SUCTION PAD BODY V5                 |
| 115       | 18215 2  | TUERCA CARRIL T-M6 SLIM CUTTER         | NUT RAIL T-M6 SLIM CUTTER           |
| 116       | 65254 2  | MUELLE VENTOSA                         | SUCTION PAD SPRING                  |
| 117       | 65837 2  | CJ.GOMA VENTOSA RM                     | RUBBER SUCTION PUMP RM SET          |